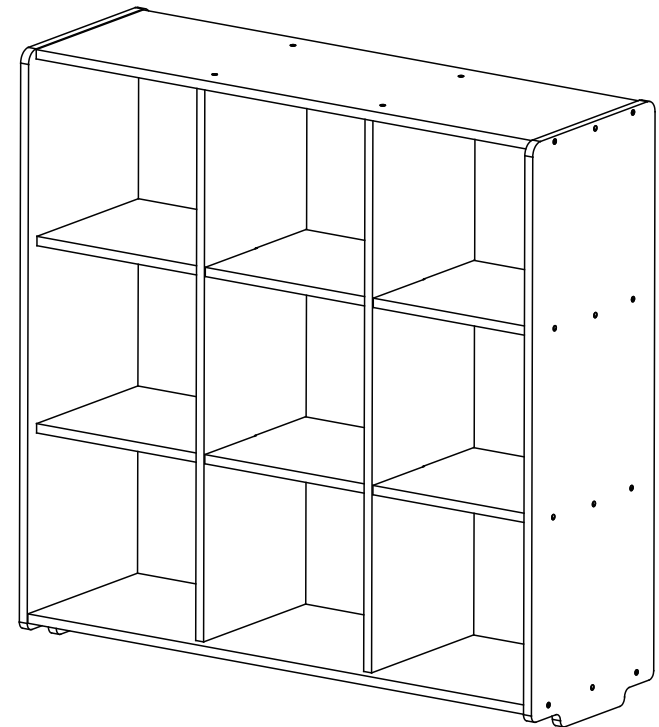


# SkoolEx2 9-hole Cubby Assembly Guide



## WARNING

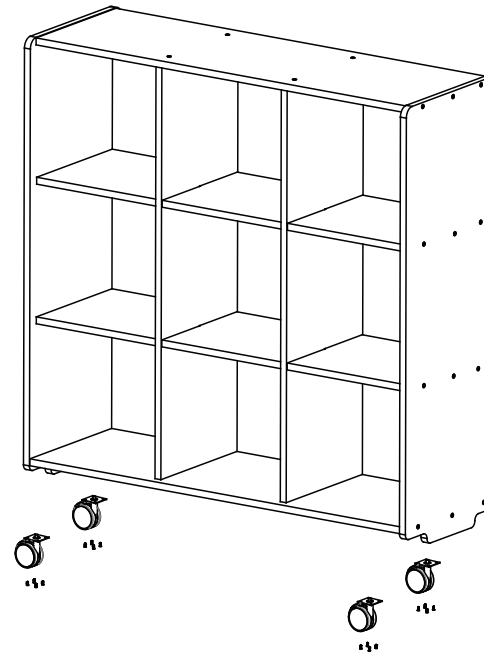
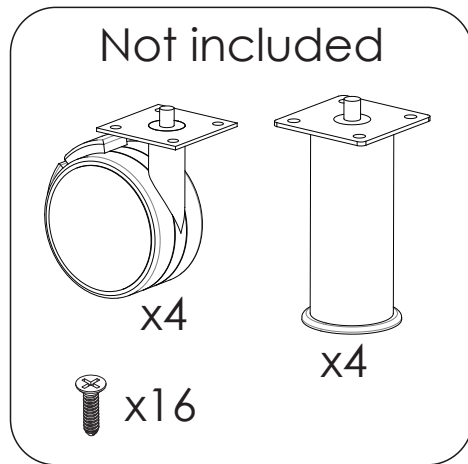
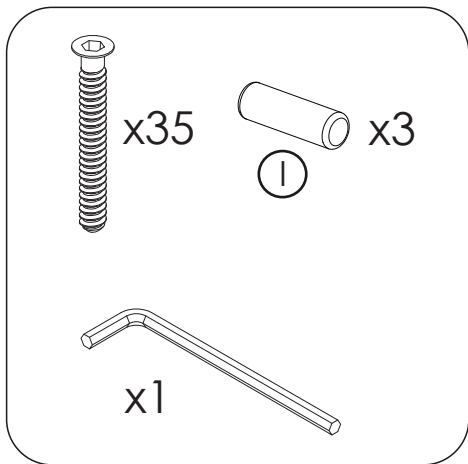
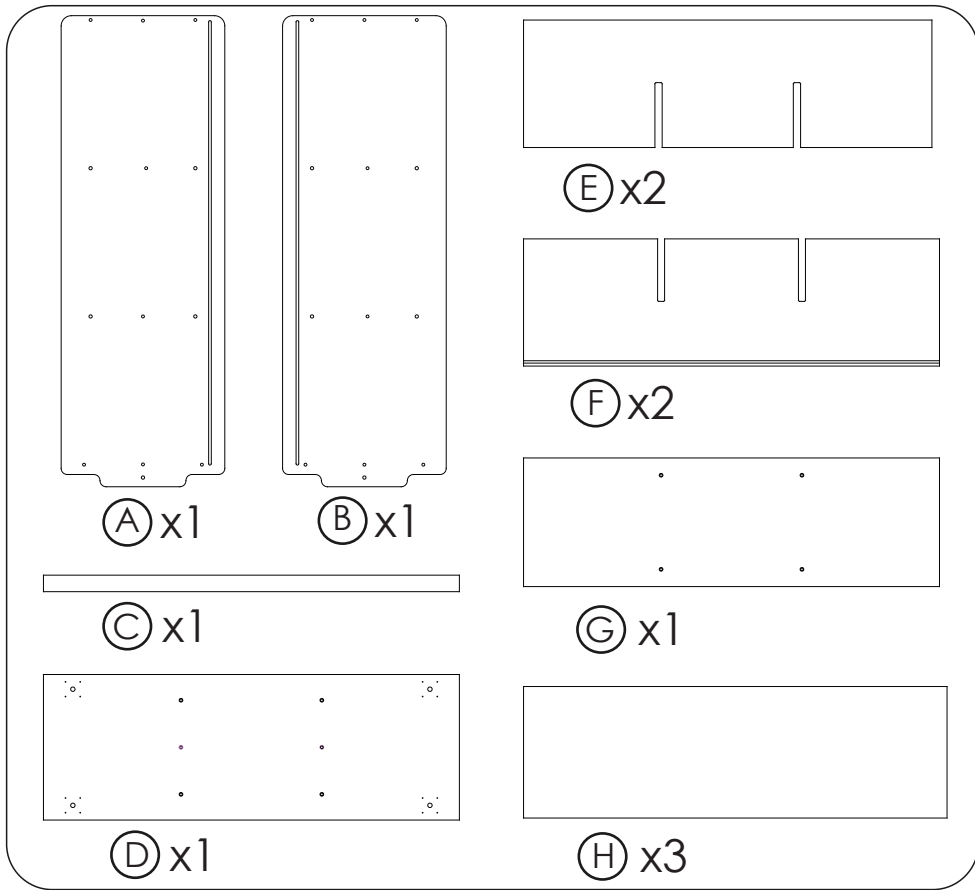


This is not a safety device  
DO NOT LEAVE CHILDREN UNATTENDED  
Incorrect installation may result in instability & weakness  
Keep plastic bags away from children

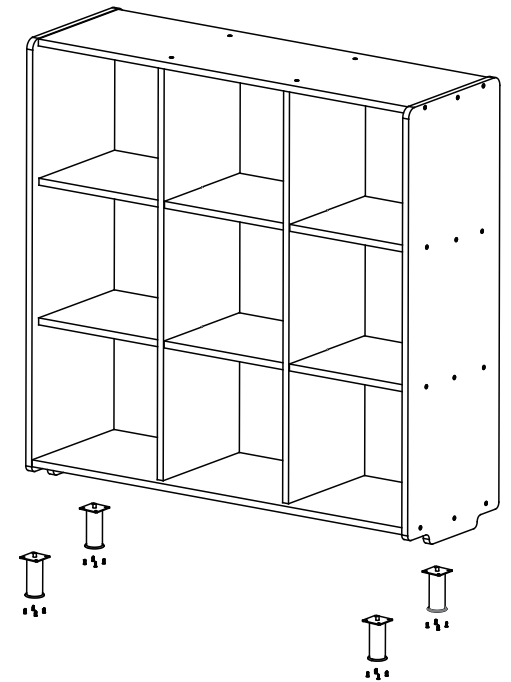
## PRODUCT NOTICE



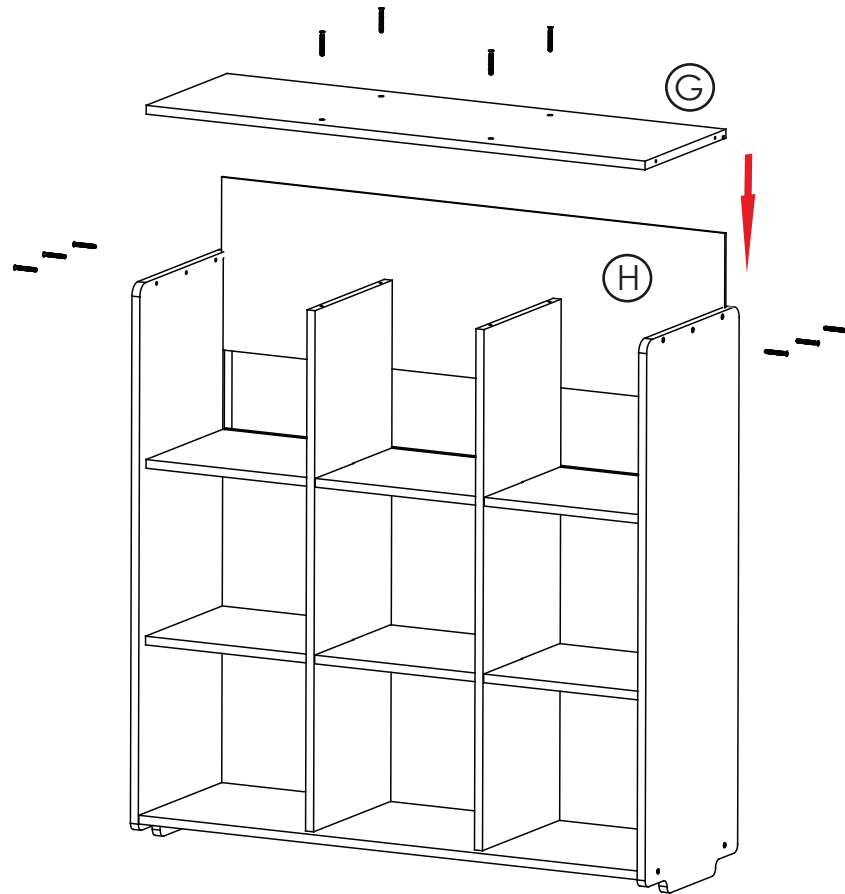
The finish deteriorates if over exposed to the elements  
Designed for indoor use only  
This furniture is made of varnished wood, as such,  
liquids including water, oil, wet food & drinks will  
damage the surface  
Regularly check & tighten screws  
Wipe only with a dry or slightly damp cloth



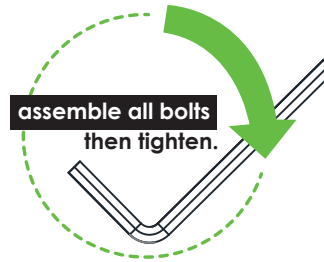
6.



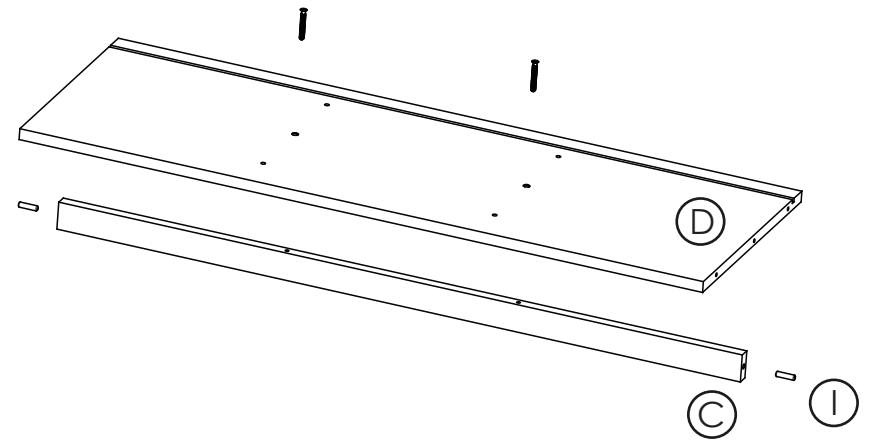
# 5.



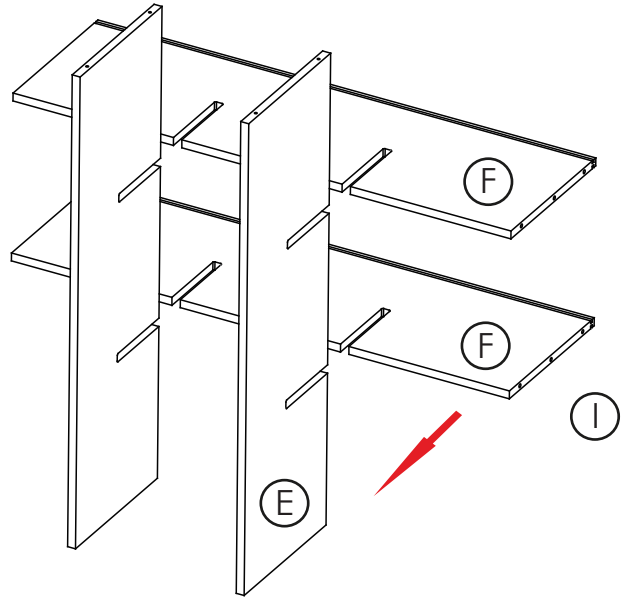
# 1.



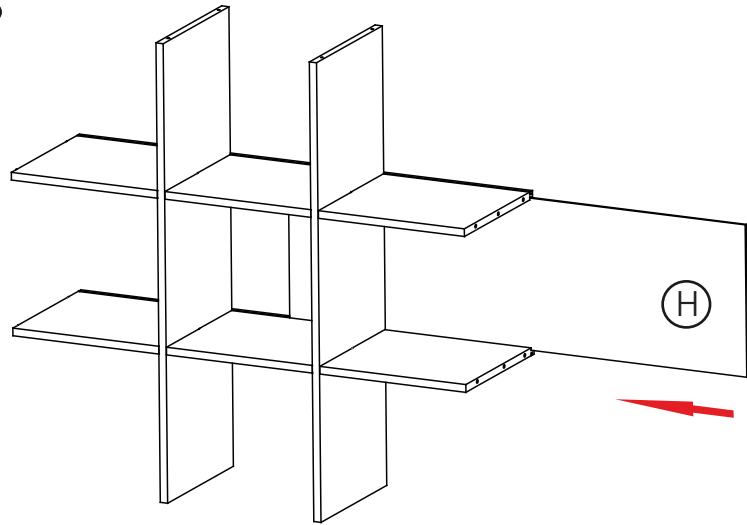
Do not over tight the screw when using the electric tools, leave small space for allen key



2.



3.



4.

