

SkoolEx2 Dress Up Unit Assembly Guide

WARNING

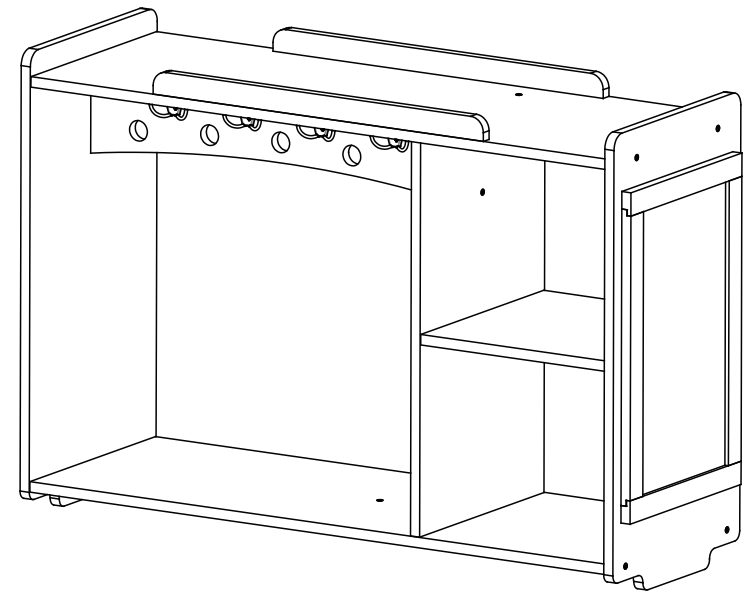


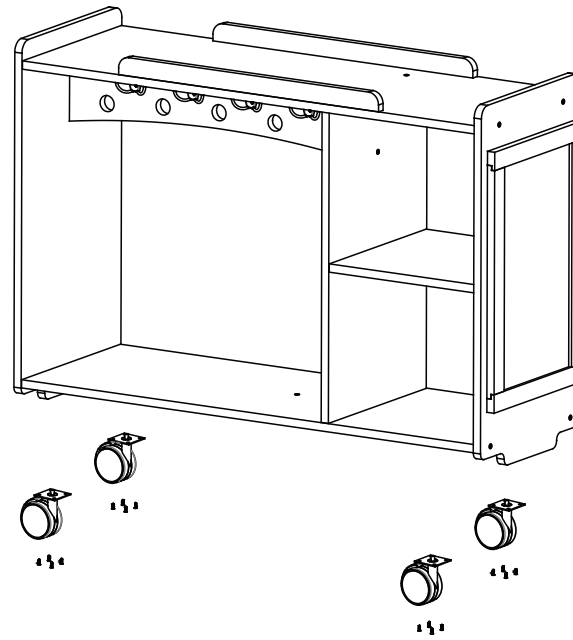
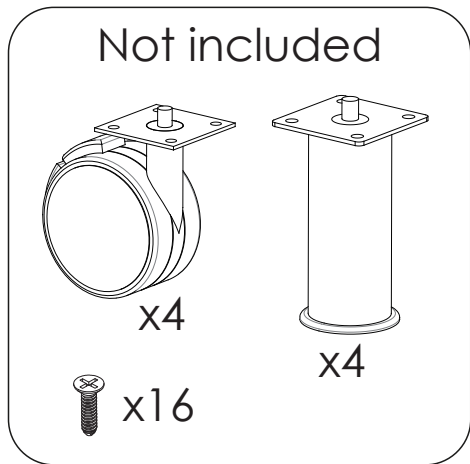
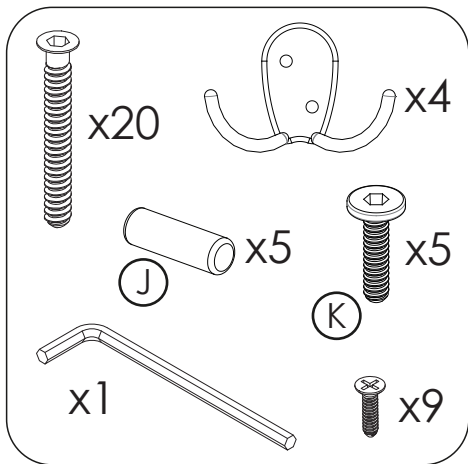
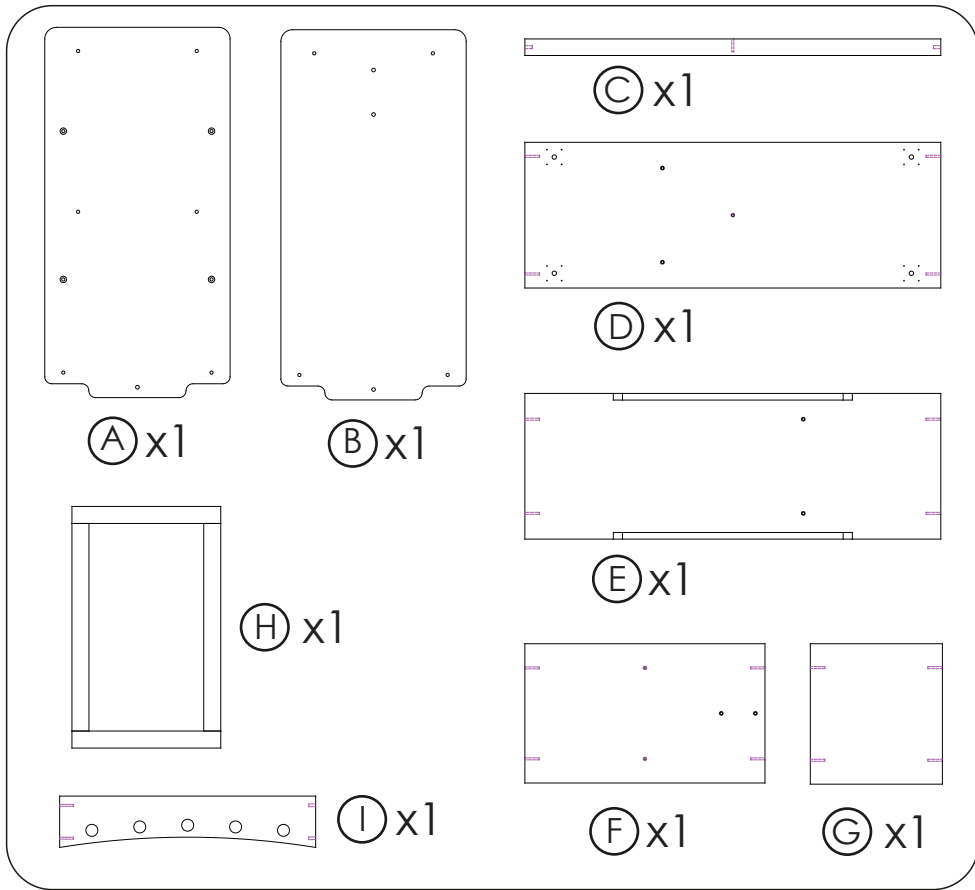
This is not a safety device
DO NOT LEAVE CHILDREN UNATTENDED
Incorrect installation may result in instability & weakness
Keep plastic bags away from children

PRODUCT NOTICE

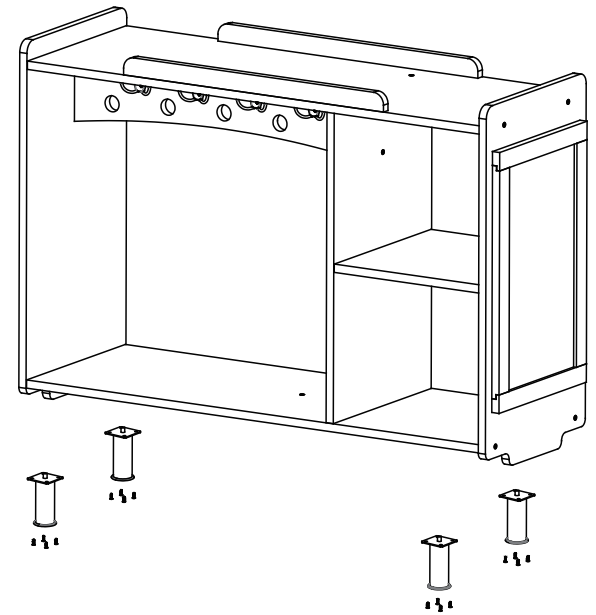


The finish deteriorates if over exposed to the elements
Designed for indoor use only
This furniture is made of varnished wood, as such,
liquids including water, oil, wet food & drinks will
damage the surface
Regularly check & tighten screws
Wipe only with a dry or slightly damp cloth

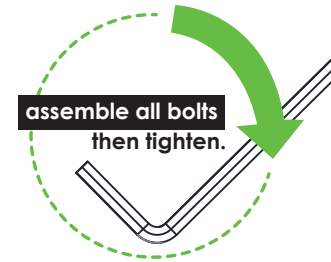
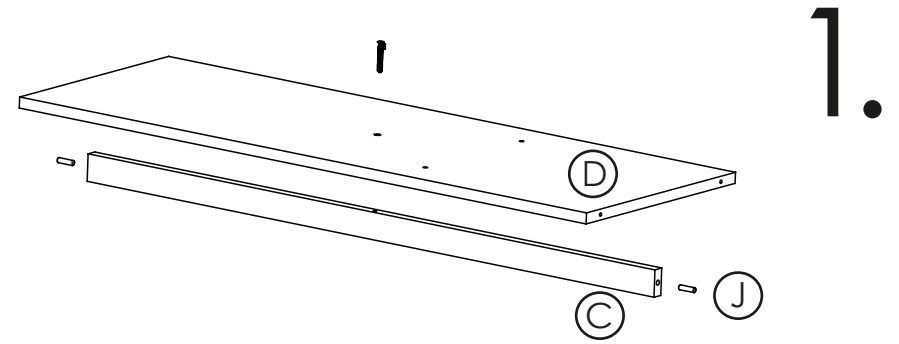
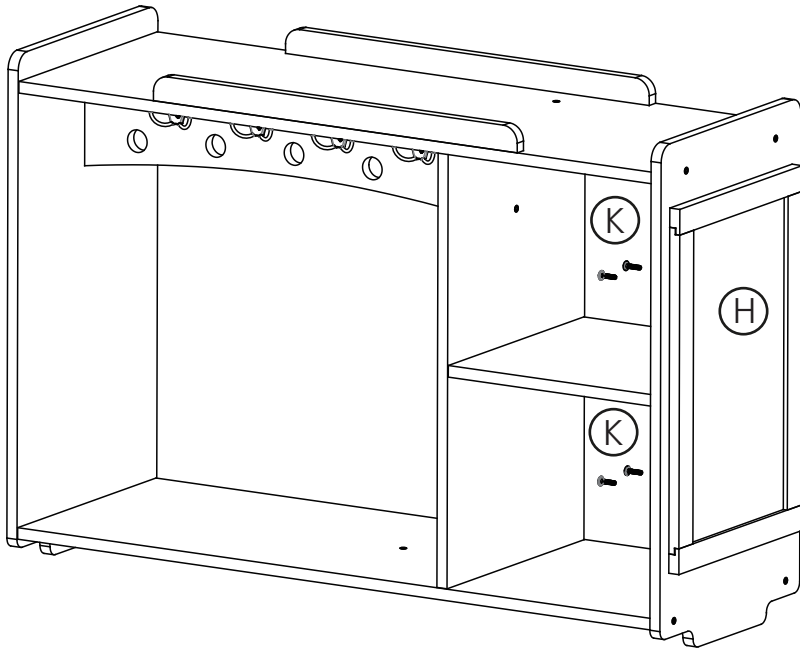




6.

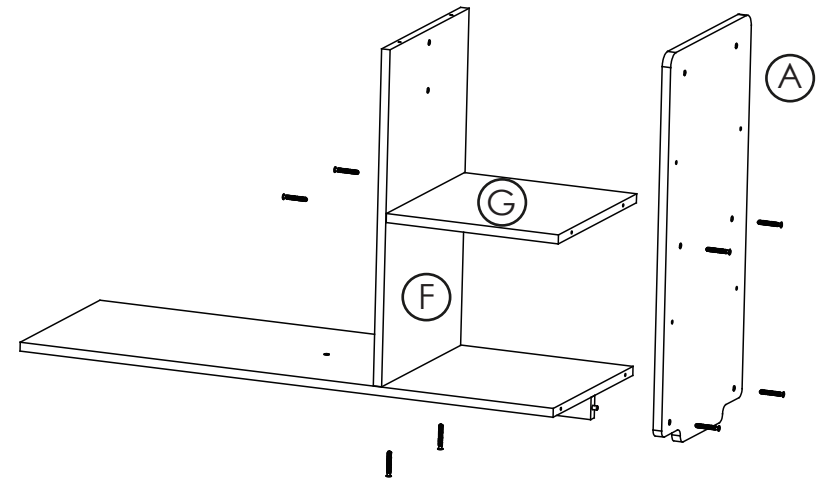


5.

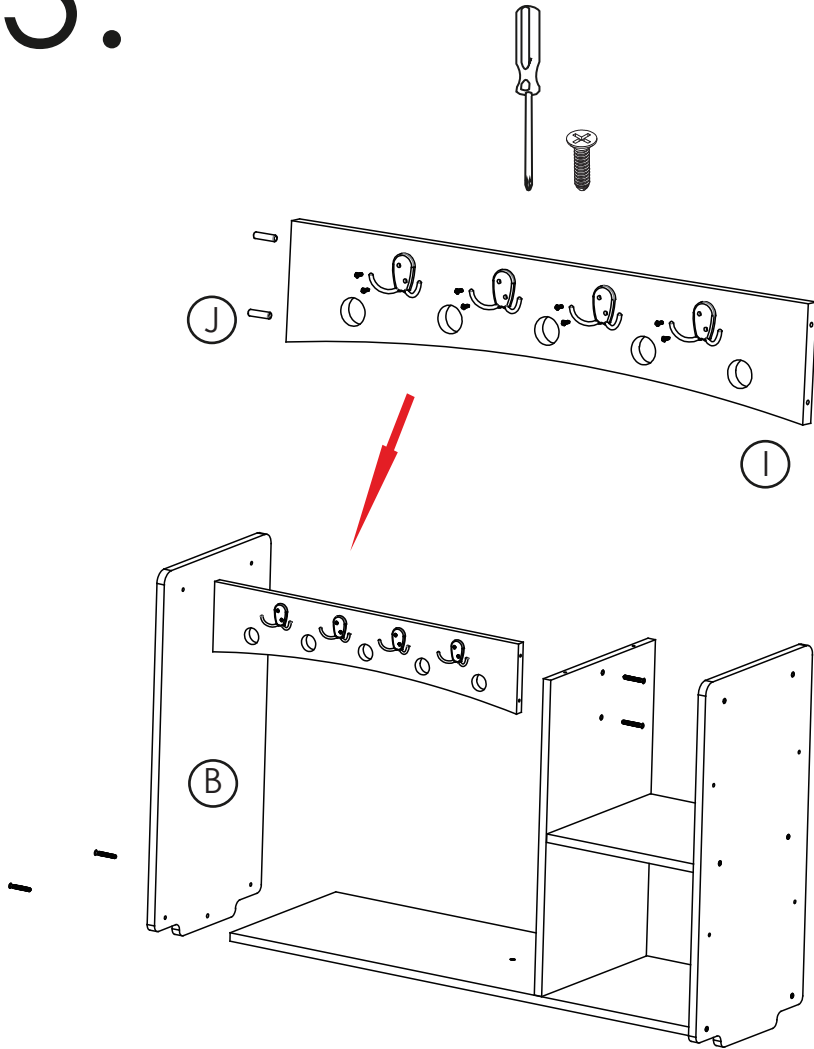


Do not over tight the screw when using the electric tools, leave small space for allen key

2.



3.



4.

