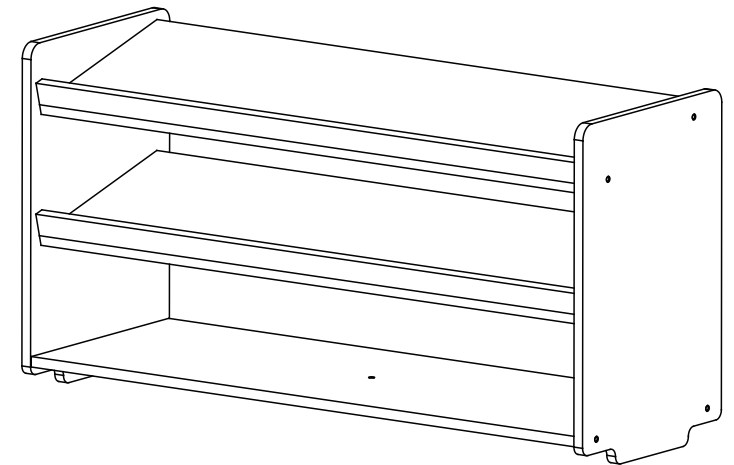


# SkoolEx2

## Classic Low puzzle/book Shelf

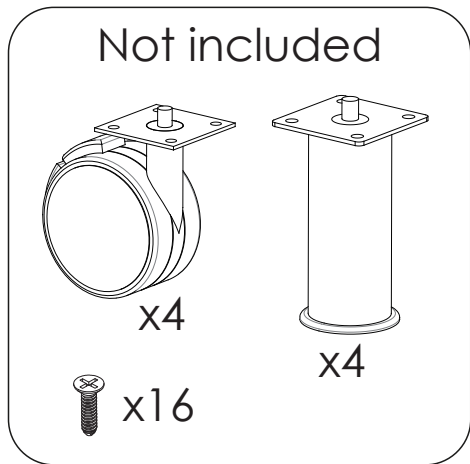
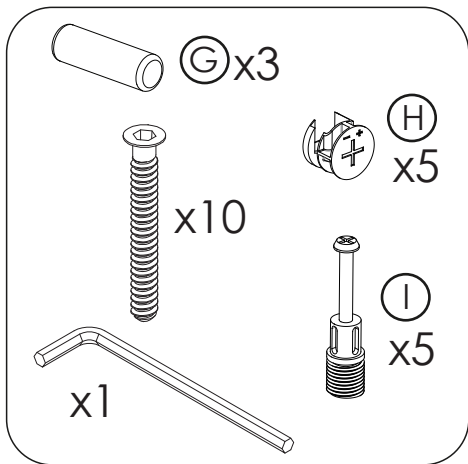
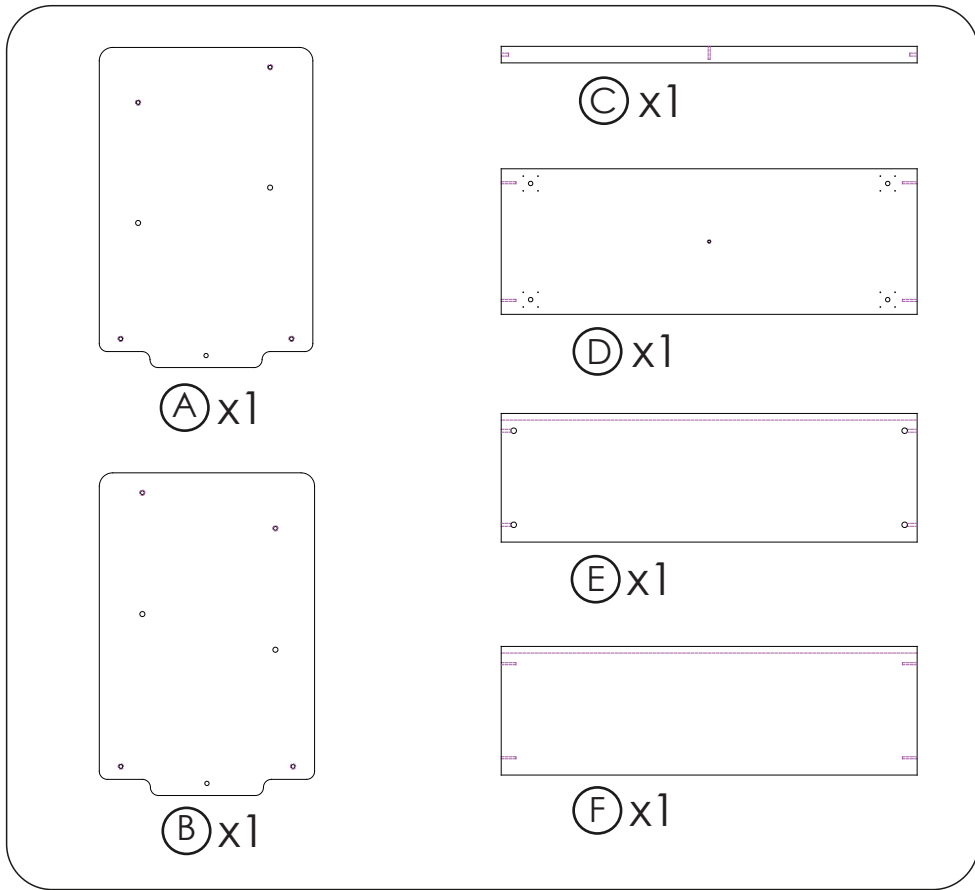
### Assembly Guide



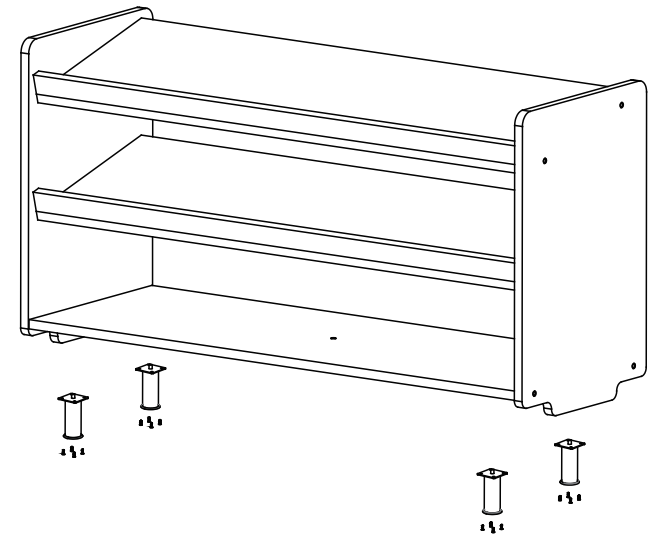
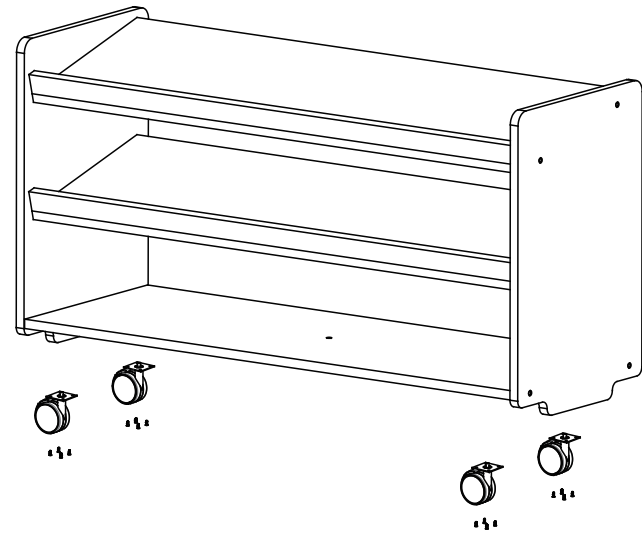
WARNING	
	This is not a safety device <b>DO NOT LEAVE CHILDREN UNATTENDED</b> Incorrect installation may result in instability & weakness Keep plastic bags away from children

PRODUCT NOTICE	
	The finish deteriorates if over exposed to the elements Designed for indoor use only This furniture is made of varnished wood, as such, liquids including water, oil, wet food & drinks will damage the surface Regularly check & tighten screws Wipe only with a dry or slightly damp cloth

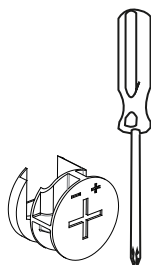
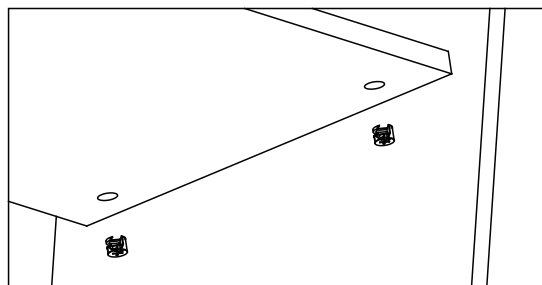
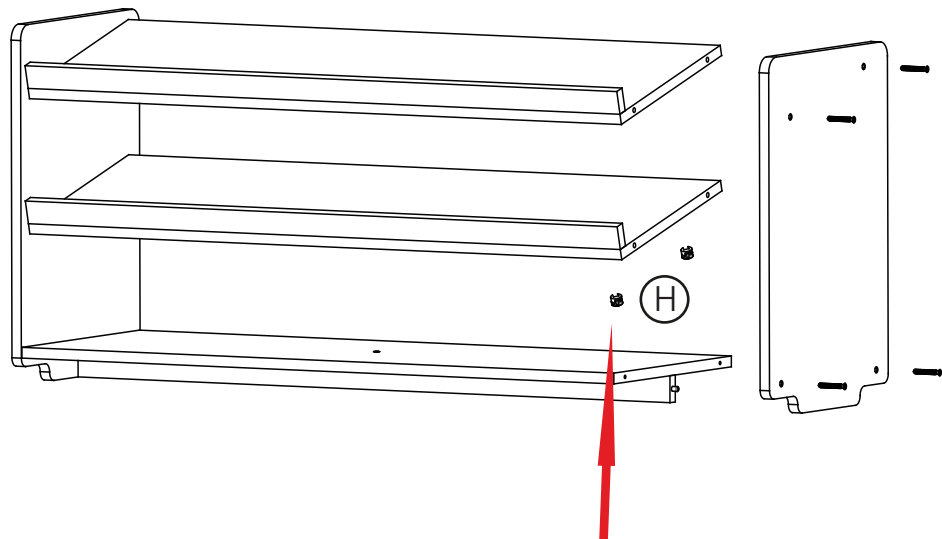




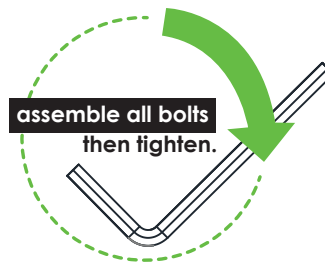
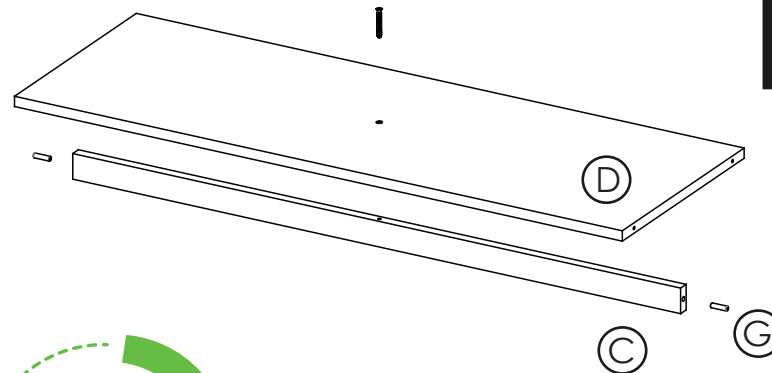
7.



# 6.

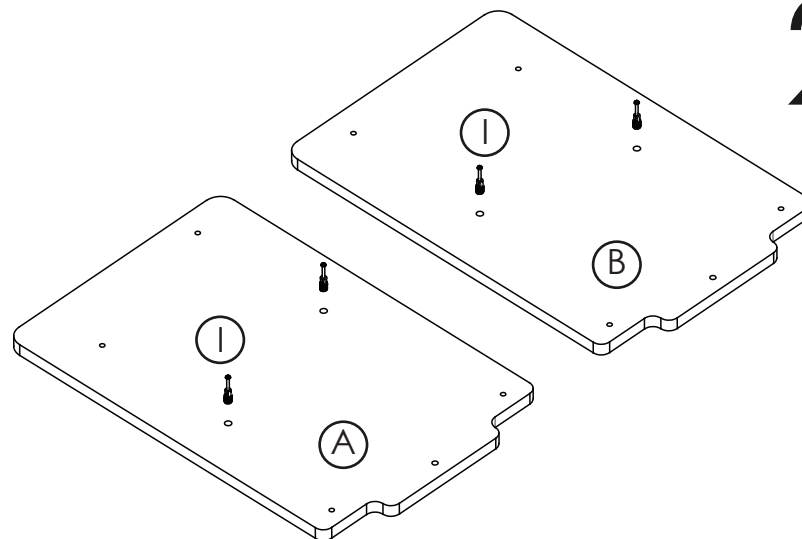


# 1.

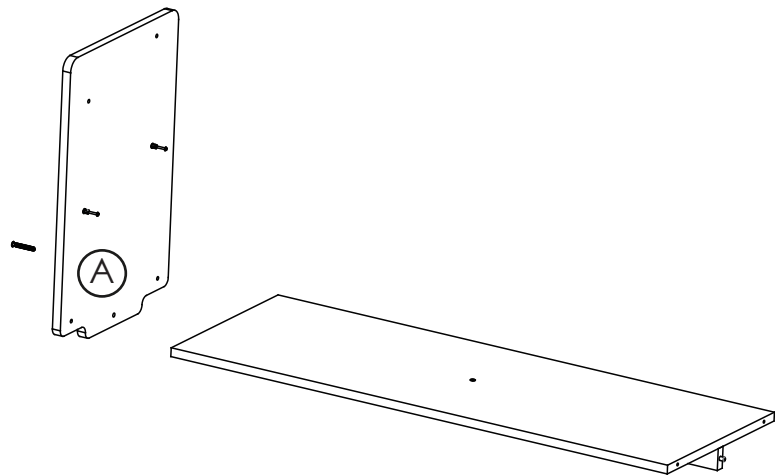


Do not over tight the screw when using the electric tools, leave small space for allen key

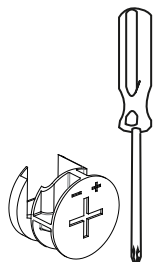
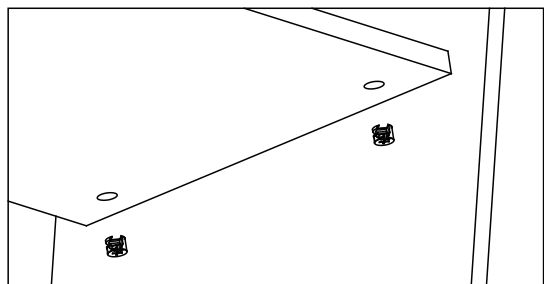
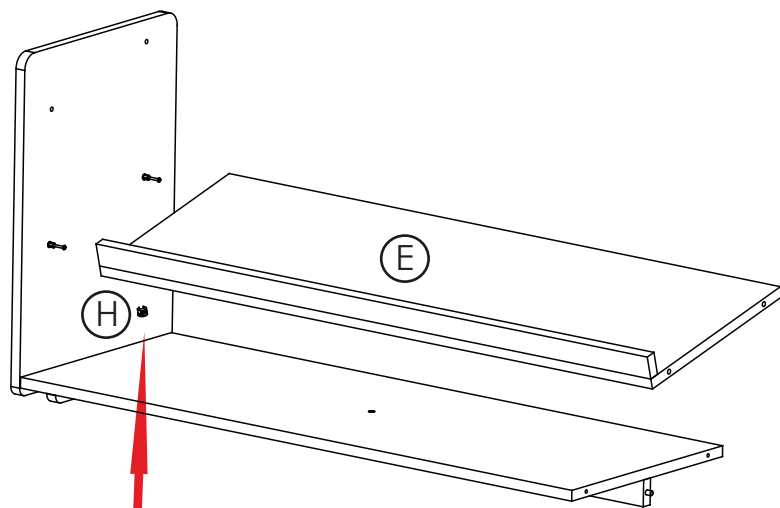
# 2.



3.



4.



5.

