

# SkoolEx Workbench

## Assembly Guide

### WARNING

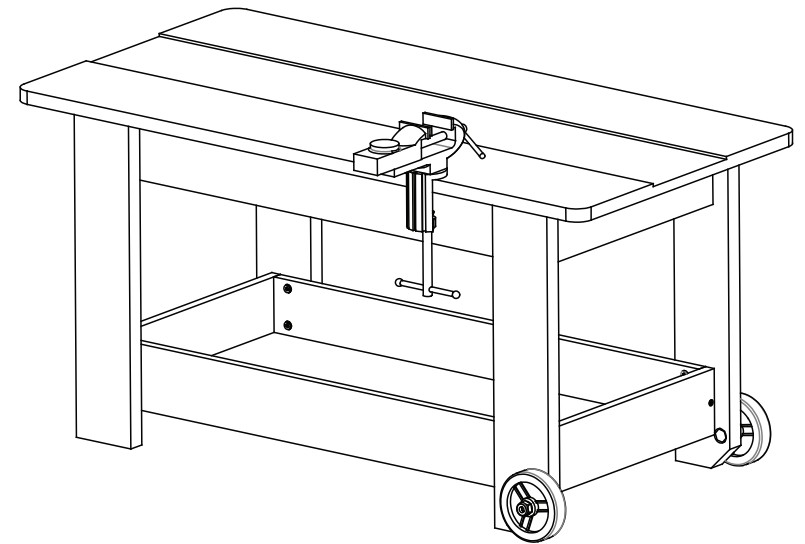


This is not a safety device  
**DO NOT LEAVE CHILDREN UNATTENDED**  
Incorrect installation may result in instability & weakness  
Keep plastic bags away from children

### PRODUCT NOTICE



The finish deteriorates if over exposed to the elements  
Designed for indoor use only  
This furniture is made of varnished wood, as such,  
liquids including water, oil, wet food & drinks will  
damage the surface  
Wipe only with a dry or slightly damp cloth  
Regularly check and tighten screws  
Regularly check that the vice remains appropriately  
secured to the bench





x 2



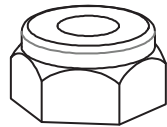
x 16



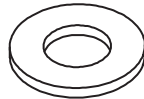
x 4



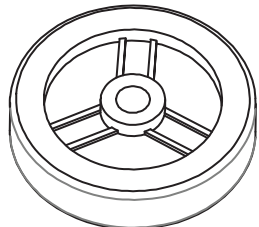
x 8



x 2



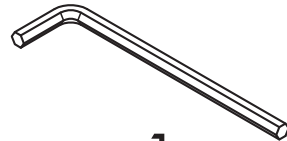
x 6



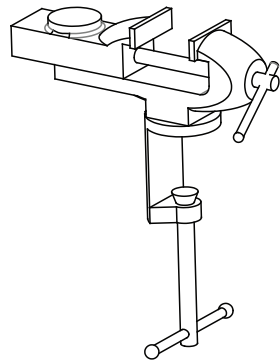
x 2



x 2

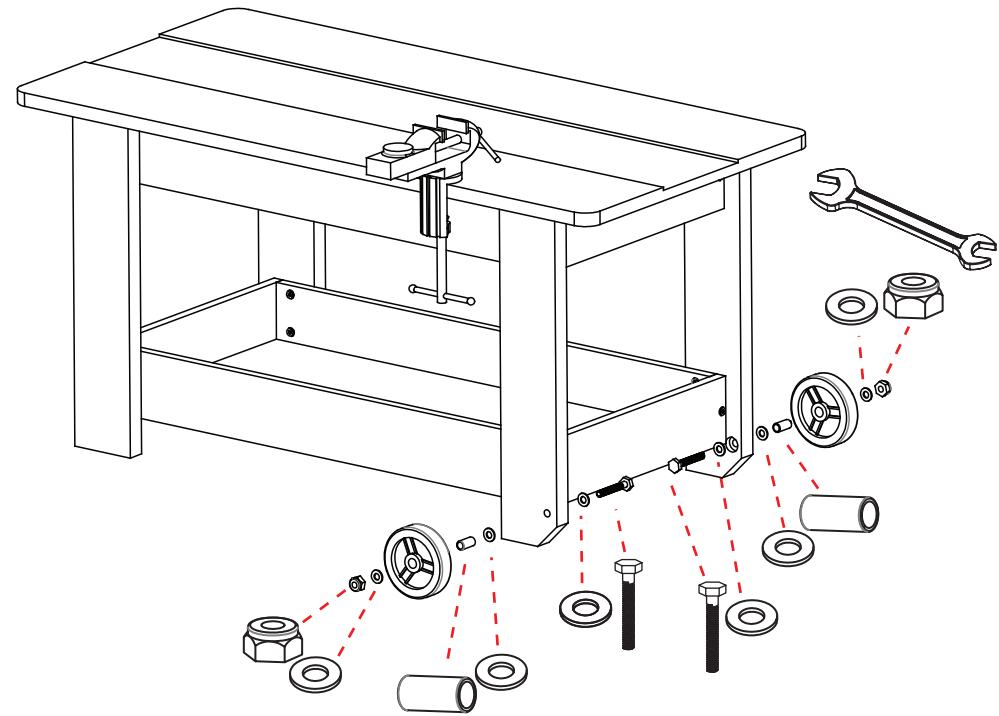


x 1

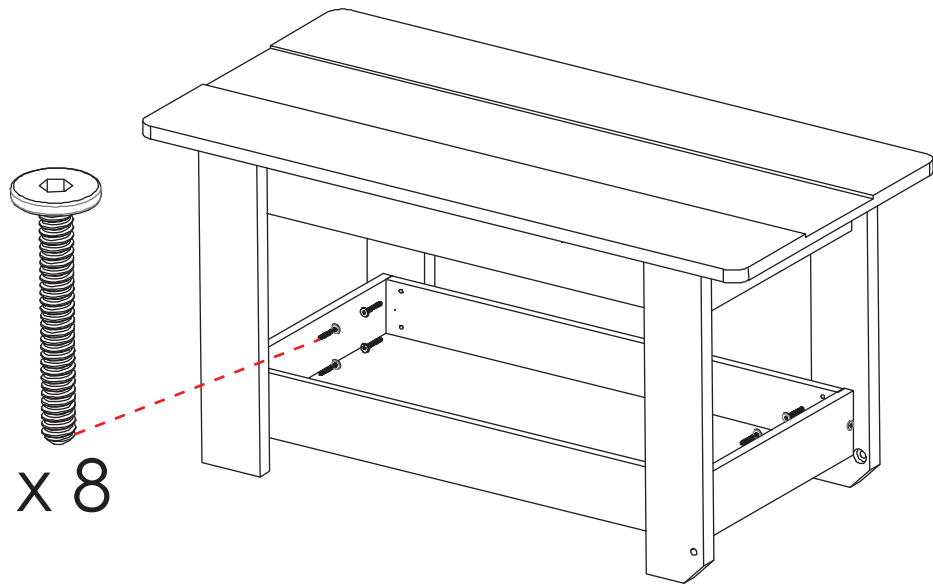


x 1

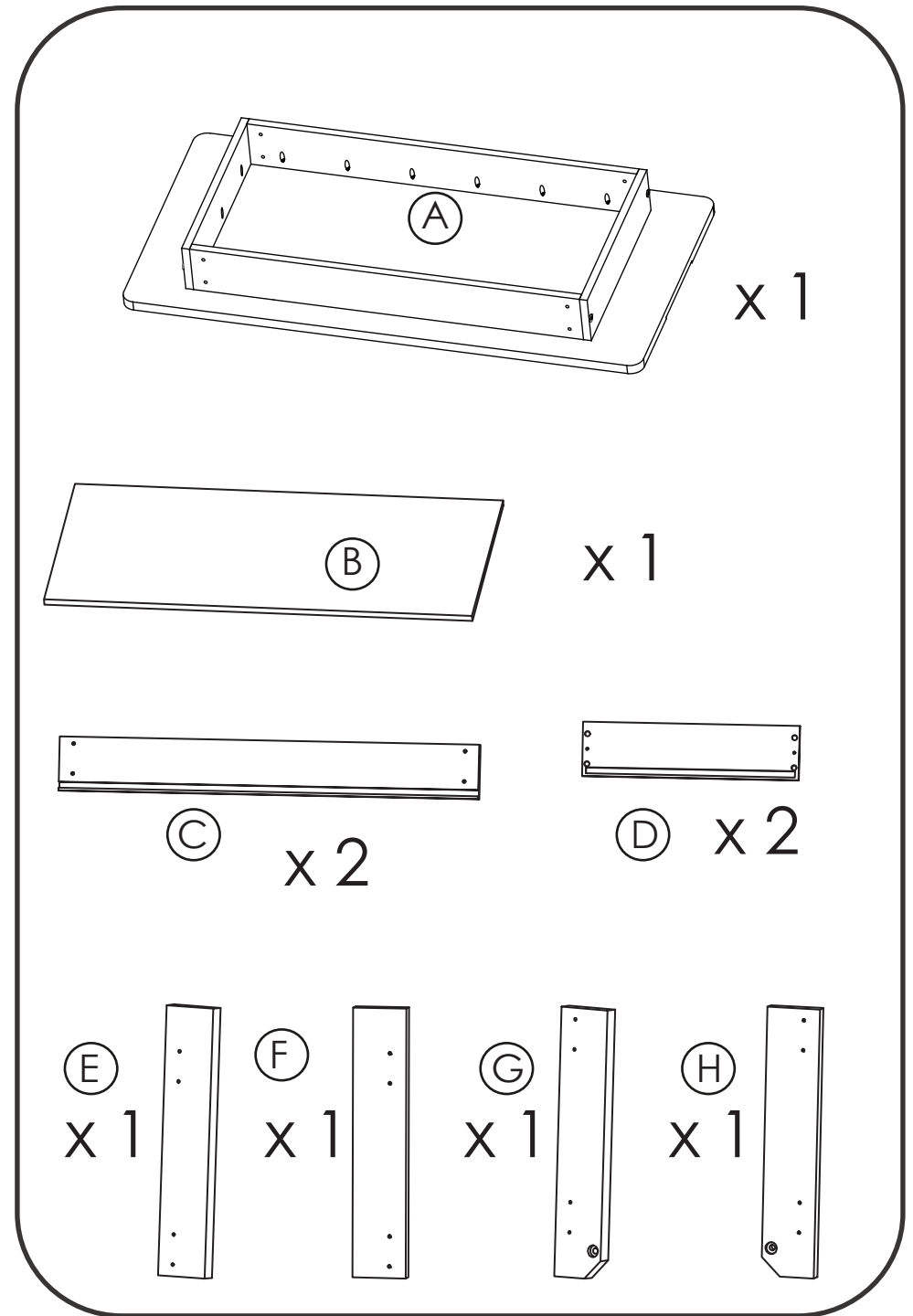
4.



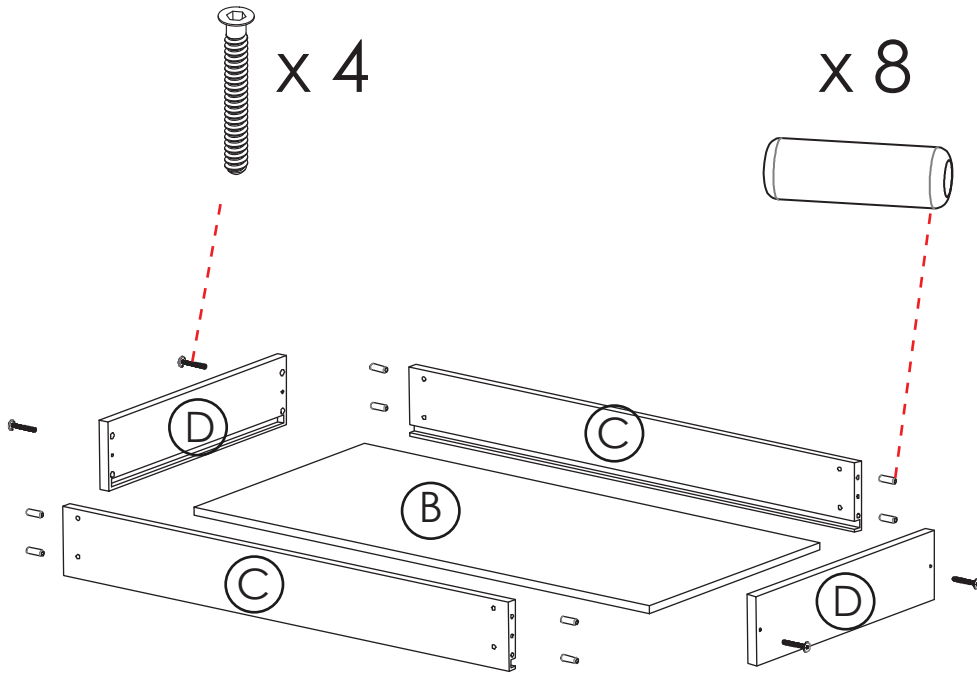
# 3.



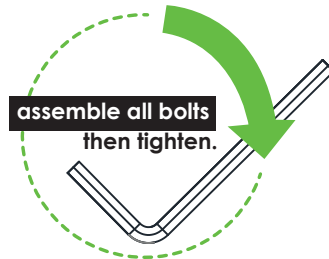
x 8



# 1.



Do not over tight the screw when using the electric tools, leave small space for allen key



# 2.

