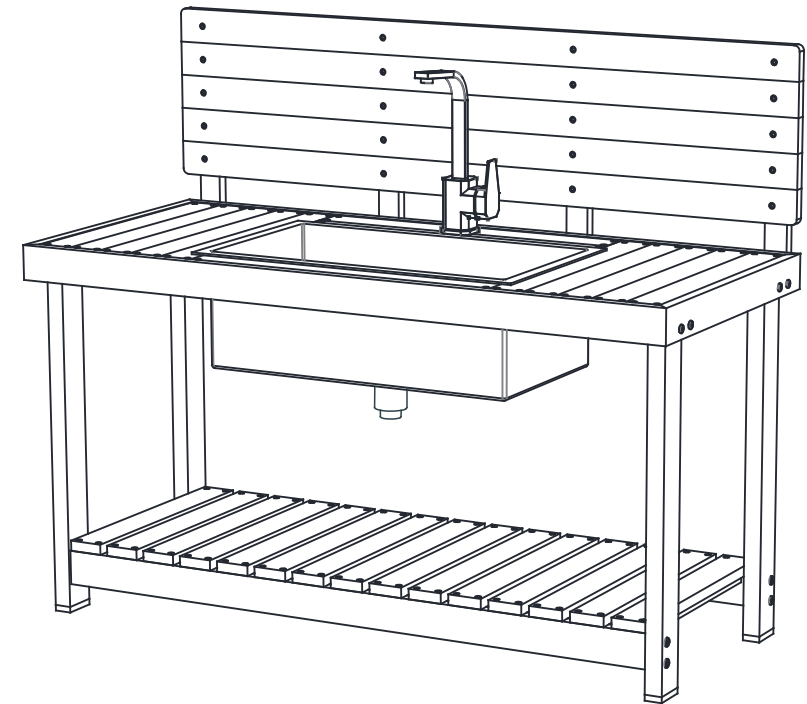


Mud Kitchen

Assembly Guide



WARNING



- Ensure this item is used in a Safe location.
- Incorrect Installation may result in instability and weakness
- Due to the weight of the item, maintain tightness of screws and bolts
- Keep Plastic Bags and Small Components away from Children
- Ensure Children do not jump on the table

PRODUCT NOTICE



- Whilst WPC will not degrade in weather to the extent that wood will, like wood WPC is absorbent
- WPC is more brittle than wood and should not be overly impacted

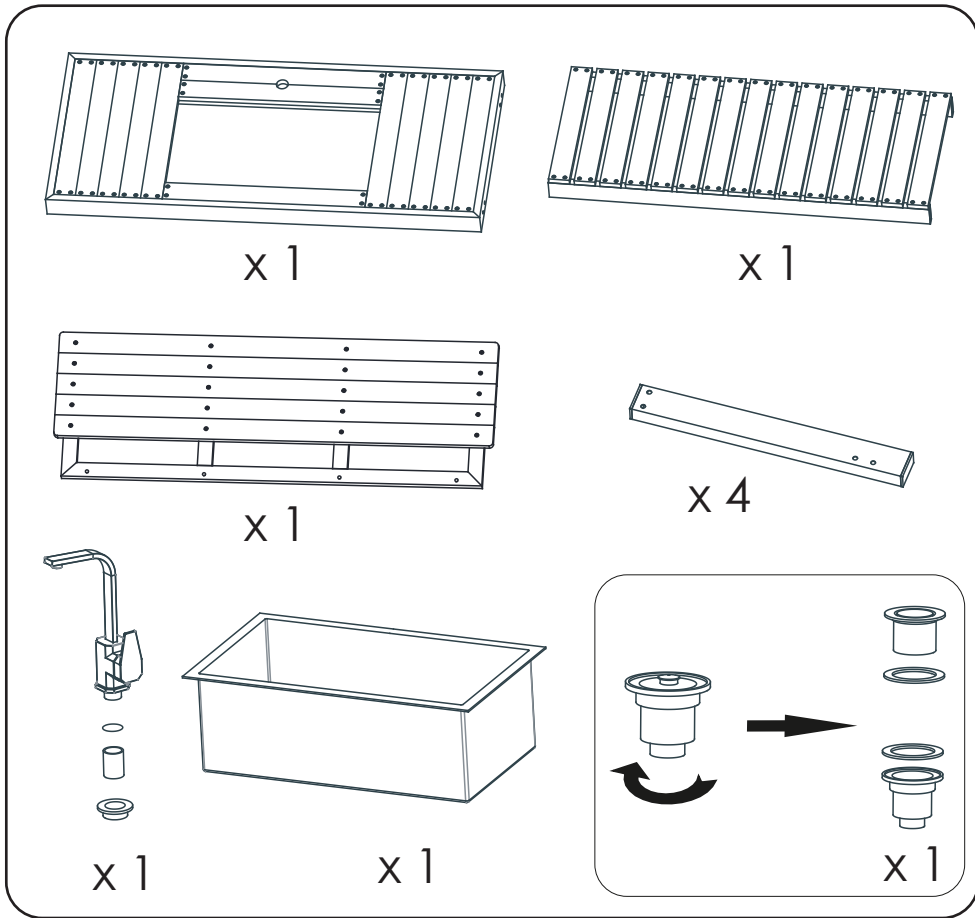
SAFETY FEATURES



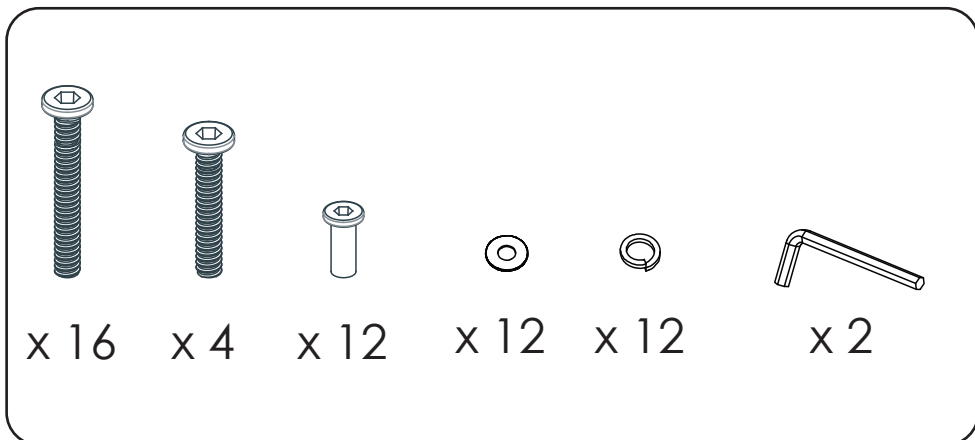
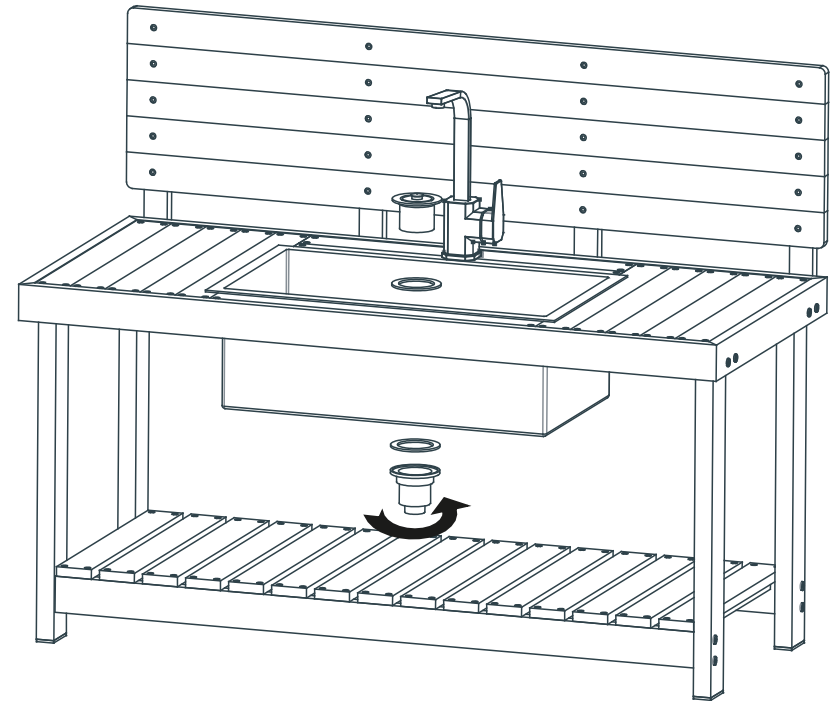
- This Table is heavy and is less likely to tip over or be upturned in heavy winds
- WPC is far more durable in weather and therefore less likely to splinter



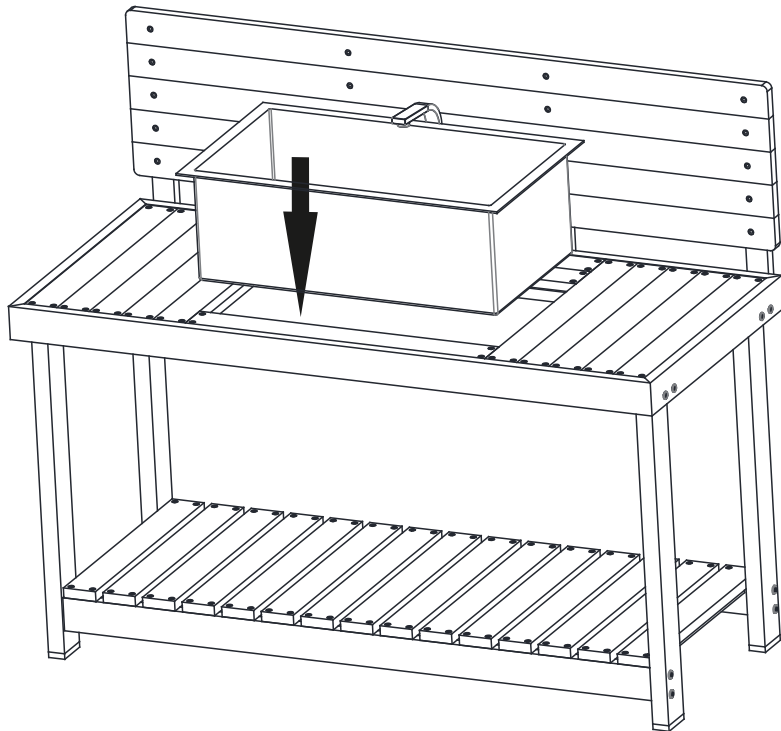
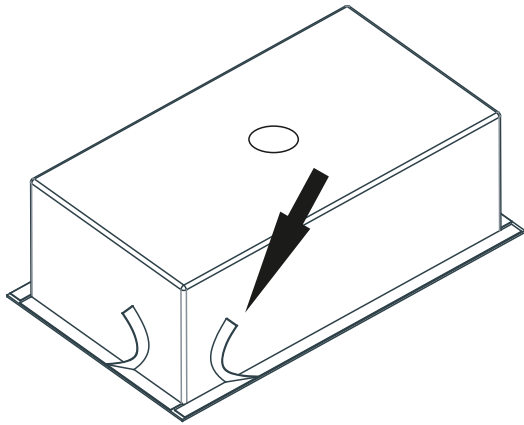
Kids BY
Design



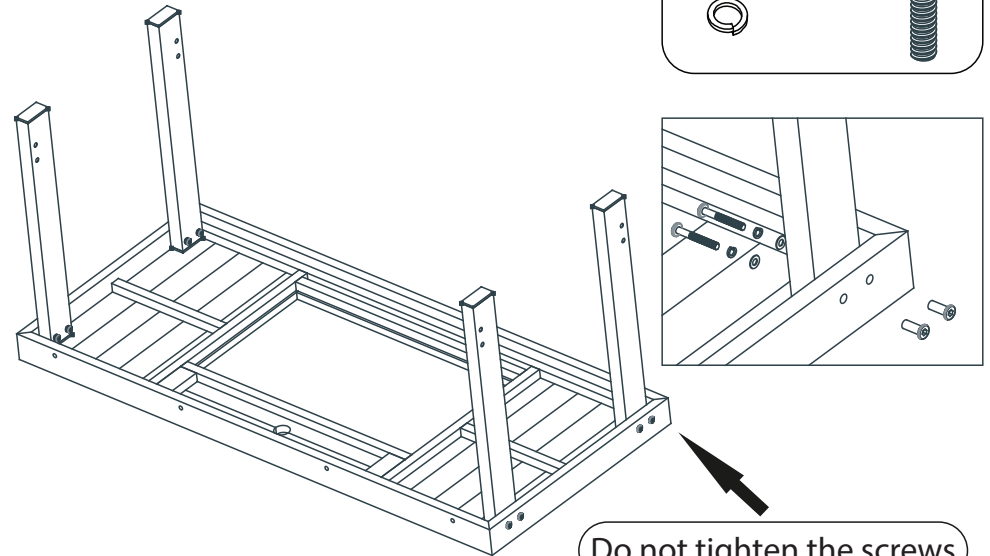
7.



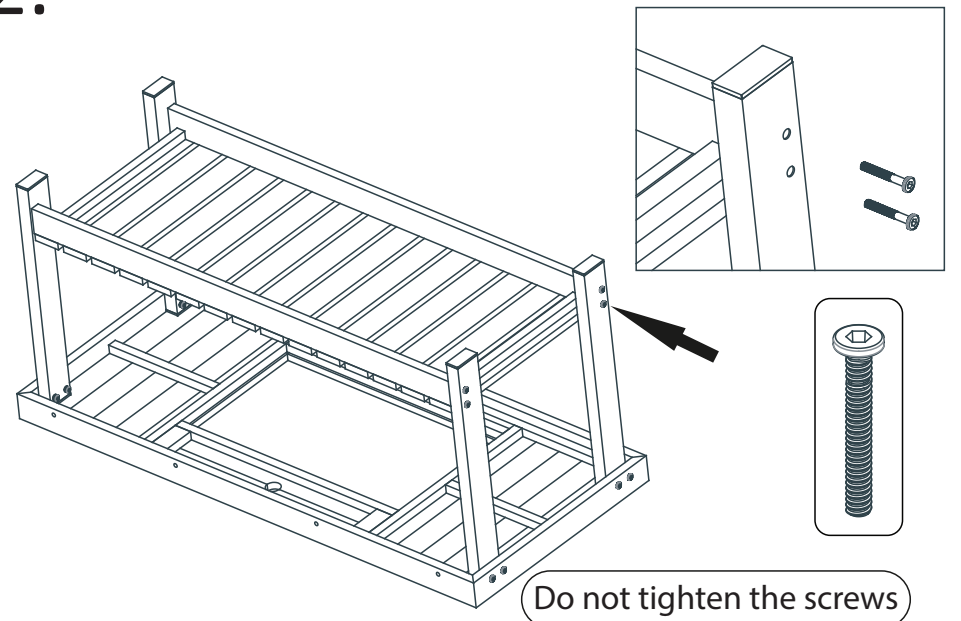
6.



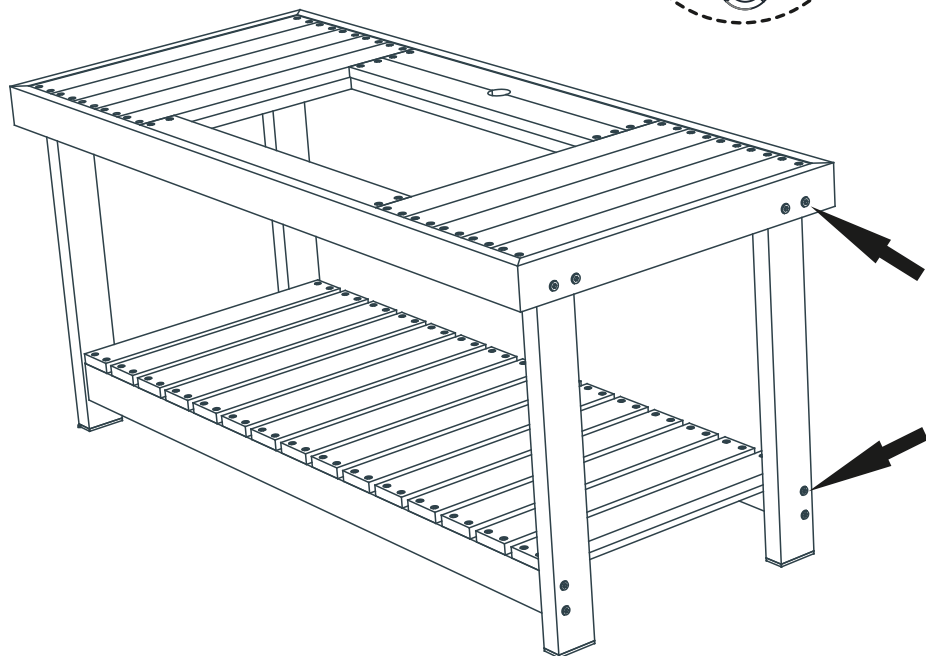
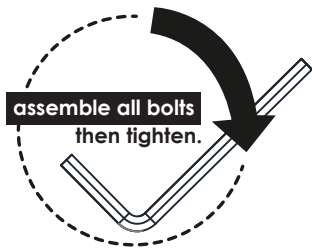
1.



2.

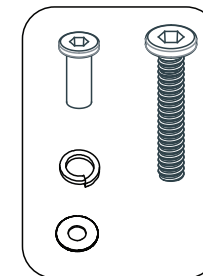
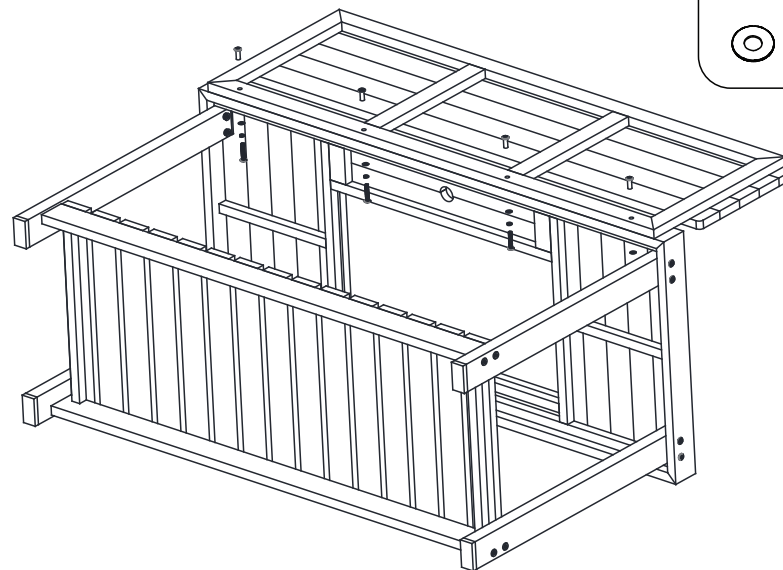


3.



Ensure that the legs are vertical and stable to the ground, then tighten the screws

4.



5.

