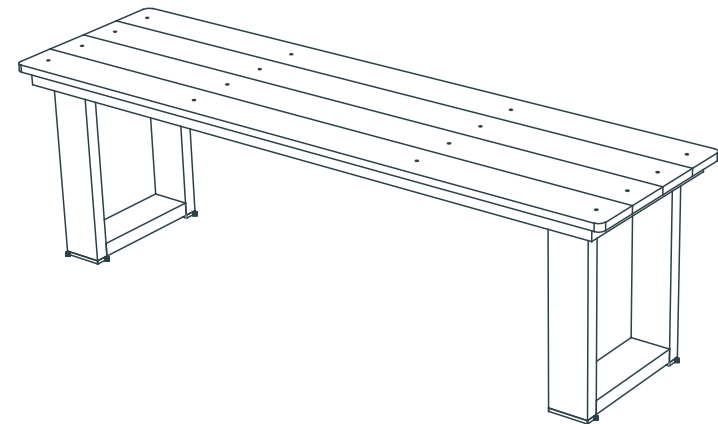


Outdoor Bench no Back Assembly Guide



WARNING



- Ensure this item is used in a Safe location.
- Incorrect Installation may result in instability and weakness
- Due to the weight of the item, maintain tightness of screws and bolts
- Keep Plastic Bags and Small Components away from Children
- Ensure Children do not jump on the seat top

PRODUCT NOTICE

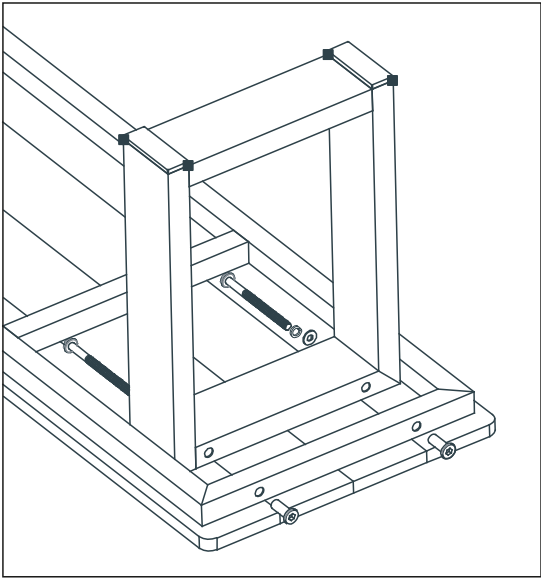
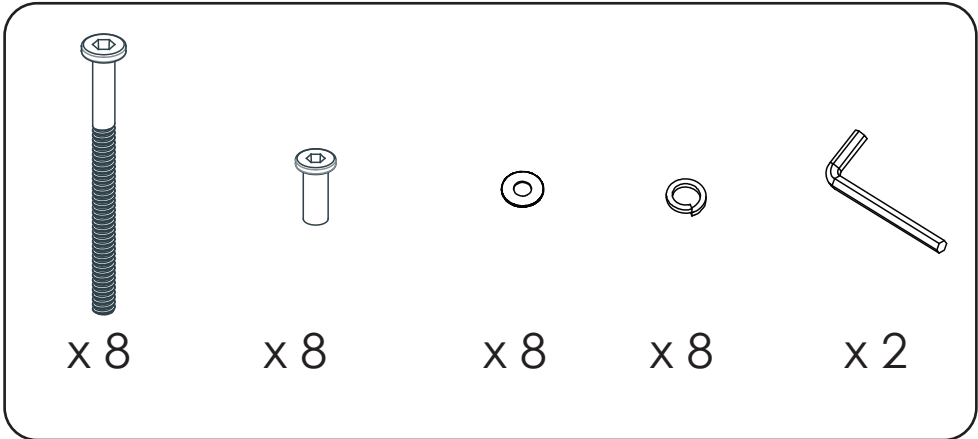
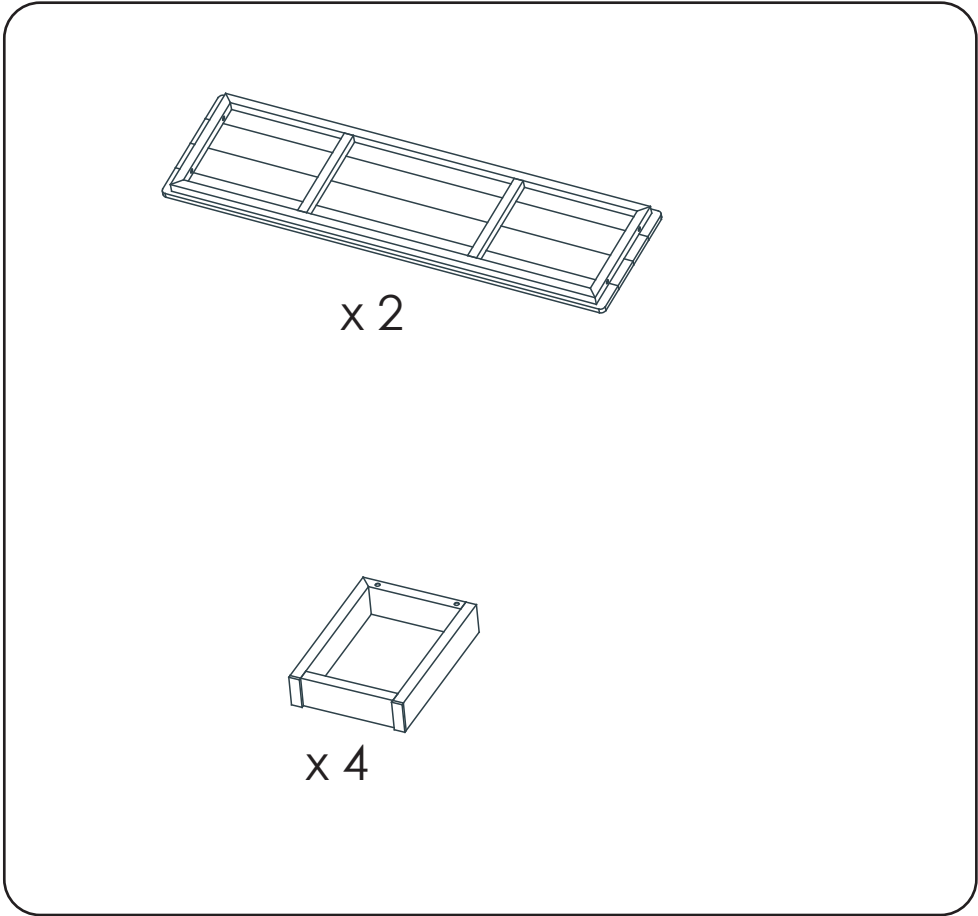


- Whilst WPC will not degrade in weather to the extent that wood will, like wood WPC is absorbent
- WPC is more brittle than wood and should not be overly impacted

SAFETY FEATURES



- This Bench is heavy and is less likely to tip over or be upturned in heavy winds
- WPC is far more durable in weather and therefore less likely to splinter



Do not over tight the screw when using the electric tools, leave small space for allen key

