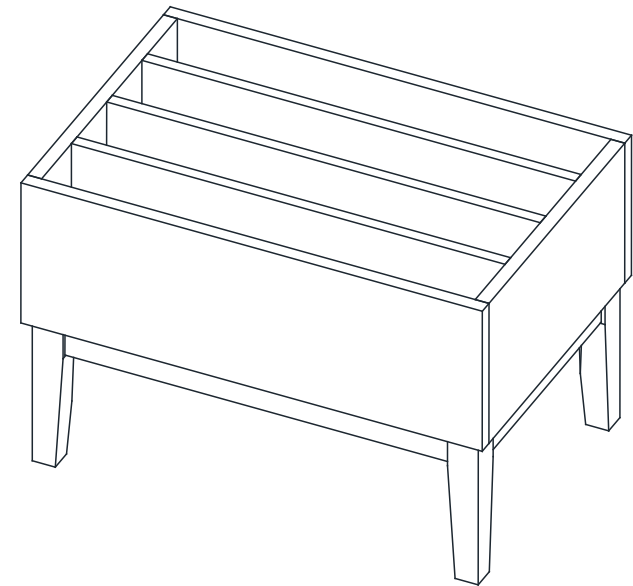


PS Book Stand 40cm(Oak)

Assembly Guide



WARNING



This is not a safety device
DO NOT LEAVE CHILDREN UNATTENDED
Incorrect installation may result in instability & weakness
Keep plastic bags away from children

PRODUCT NOTICE



The finish deteriorates if over exposed to the elements
Designed for indoor use only
This furniture is made of varnished wood, as such,
liquids including water, oil, wet food & drinks will
damage the surface
Regularly check & tighten screws
Wipe only with a dry or slightly damp cloth

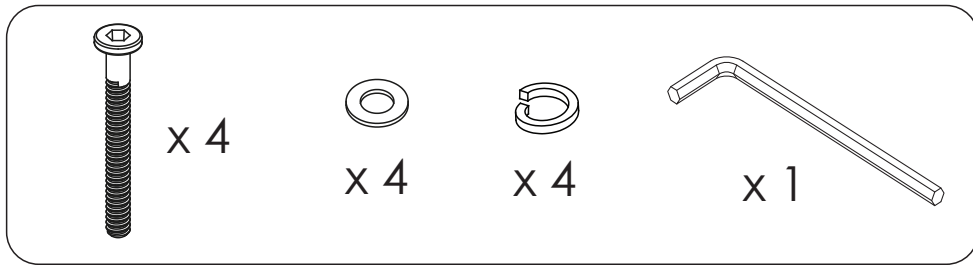
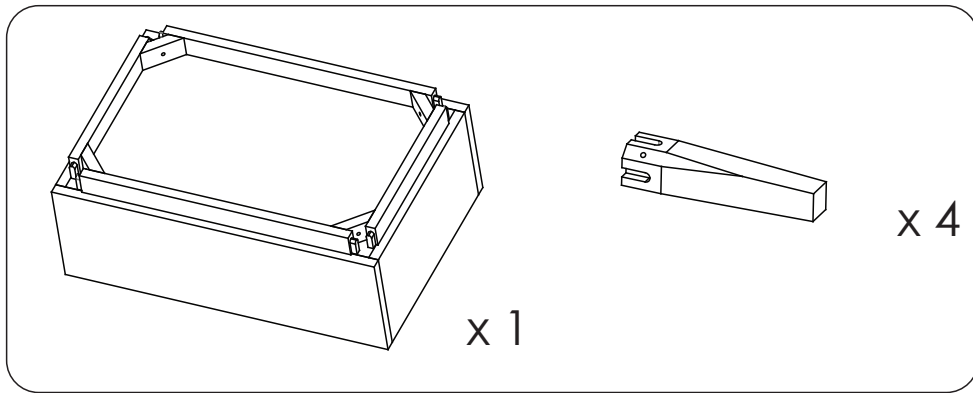


IMPORTANT
WARNINGS
ON BACK

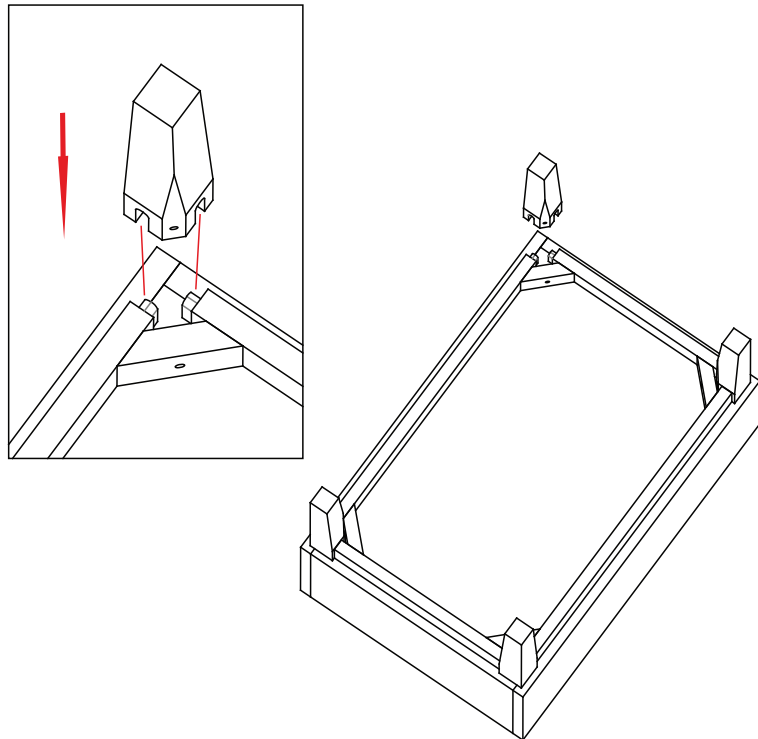


ASSEMBLY LEVEL





1.



2.

Do not over tight the screw when using the electric tools, leave small space for allen key

