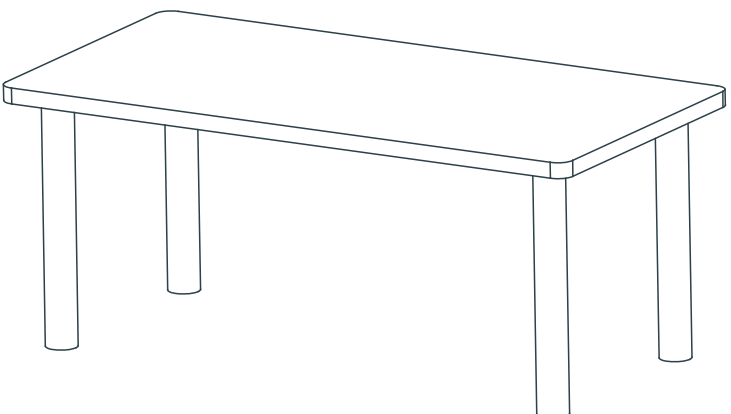


# Leni Oak Table - Rectangle

Model Number: NASH11n

## Assembly Guide



**Kids** BY  
**Design**



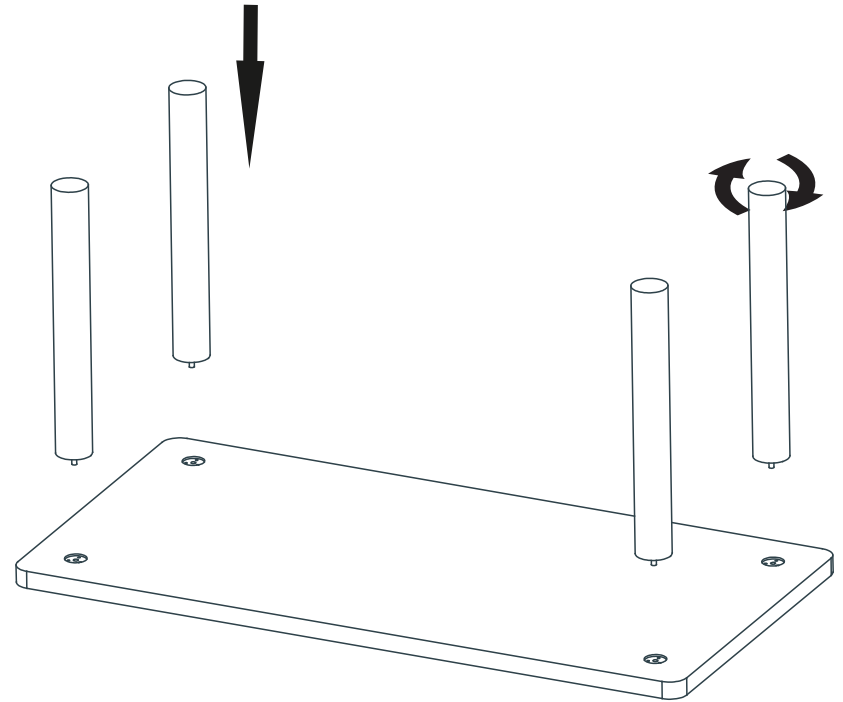
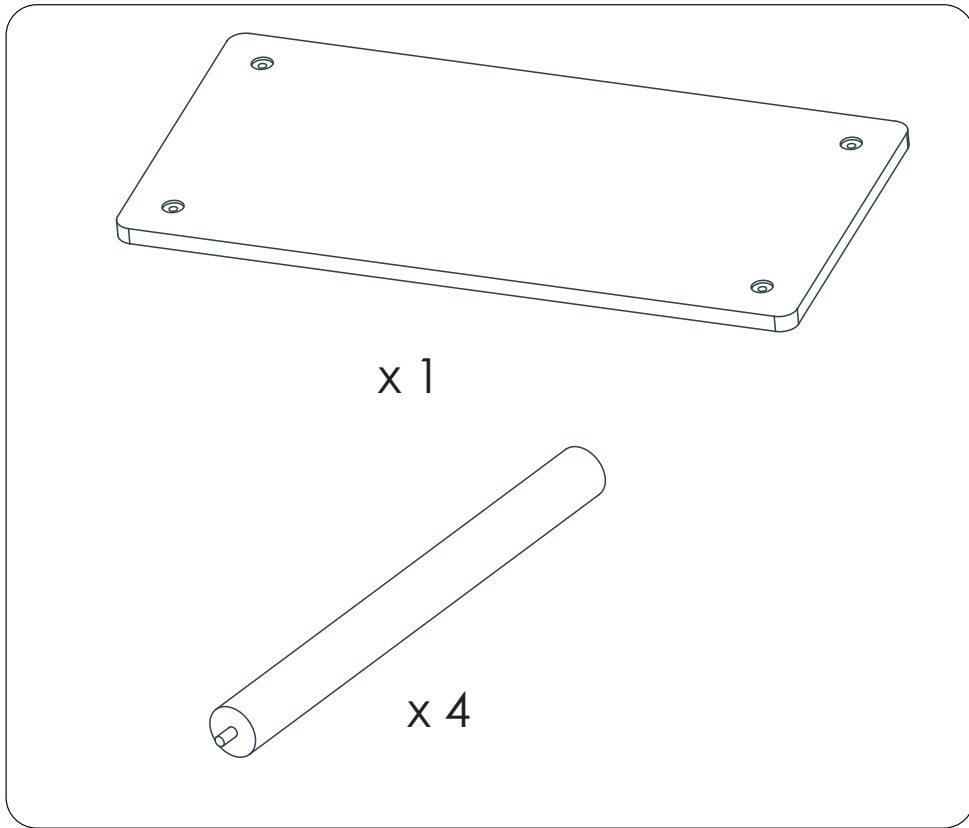
### **WARNING**

## IMPORTANT! READ CAREFULLY AND KEEP FOR FUTURE REFERENCE

This is not a safety device

**DO NOT LEAVE CHILDREN UNATTENDED**

- This product is suitable for kindergarten and is only for indoor use
- This furniture is made of varnished wood, such as, liquids including water, oil, wet food & drinks will damage the surface.
- DO NOT place this product near a window as it can be used as a step by the child and cause the child to fall out of the window
- Be aware of the risk of open fires and other sources of strong heat in the vicinity of the product
- Do NOT place this product near a window where cords from blinds or curtains could strangle a child
- NOT to use seating if any part is broken, torn or missing and use only spare parts approved by the manufacturer
- Regularly check and wipe only with a dry or slightly damp cloth
- Model number: NASH11n      Size: 2      Month:      Year:
- Importer: Kids By Design Limited
- European Address: Orchard House, 11 Thornton Heights, Thornton-Le-Dale, Pickering, YO18 7QZ, UK
- Website: [www.kidsbydesign.co](http://www.kidsbydesign.co)



<b>WARNING</b>	
	This product is suitable for kindergarten and is only for indoor use. This is not a safety device DO NOT LEAVE CHILDREN UNATTENDED.

<b>PRODUCT NOTICE</b>	
	This furniture is made of varnished wood, such as, liquids including water, oil, wet food & drinks will damage the surface. Regularly check and wipe only with a dry or slightly damp cloth